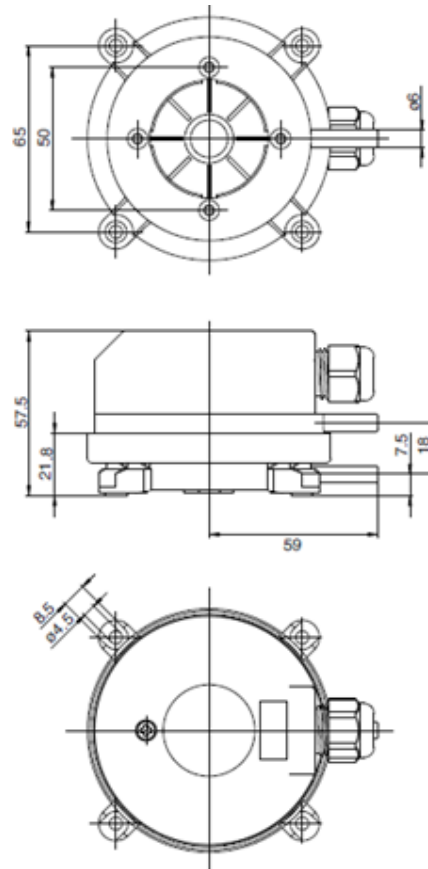




Features & Benefits

- ▶ Differential Pressure Switch for Air
- ▶ Adjustable Switching Pressure
- ▶ Switching Pressure Easily Adjustable without a Pressure Gauge
- ▶ Robust and Reliable Operation
- ▶ More than a Million Switching Operations

Dimensions



Product Description

Differential Pressure Switch

The differential pressure switch NCDPSA1 is a general purpose airflow proving switch designed for HVAC and Energy Management applications. It is used to sense positive or negative differential air pressure. It is easily adjustable - the switching pressure can be adjusted without a pressure gauge a scaled adjustment knob. The switching differential can also be adjusted with a screwdriver.

Application

The differential pressure switch is most suitable for monitoring overpressure, vacuum and differential pressure of air and other non-combustible, non-aggressive gases. It is most often used in monitoring of air filters and ventilators and flows in ventilation ducts.

Life Cycle

During its life cycle the switch is capable of handling over a million switching operations

Technical Information

Sample Media	Air and other non-combustible, non-aggressive gases
Field Adjustable Range	50 Pa to 500 Pa
Accuracy	±2.5 %
Maximum Pressure	10.000 Pa (0.1 bar)
Operating Temperature	-20 ... 85°C
Life	Over 10 ⁶ switching operations
Automatic / Manual Reset	Automatic
Pressure Connection	2 plastic pipe connection pieces, external diameter 6 mm
Weight	150 g (with cover)
Enclosure	Switch body made of PA 6.6, cover made of PS. Protection category IP54 with cover.

CE Conformity

Low Voltage Directive 2006/95/EC; RoHS Directive 2011/65/EC; Gas Appliance Directive 90/396/EC; ATEX-Directive 94/9/EC; ANSI UL508; CSA

Ordering Codes

NCSDPSA1

Differential Pressure Switch