

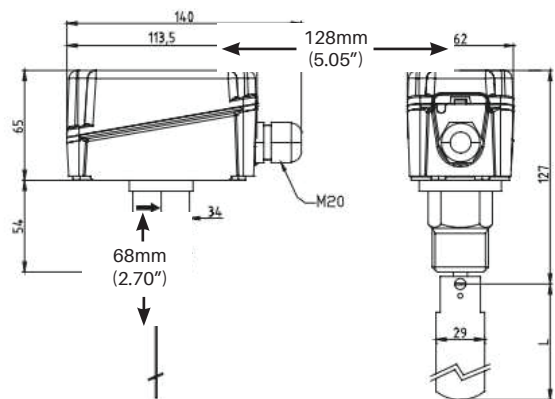
NCSLFS1 Liquid Flow Switch



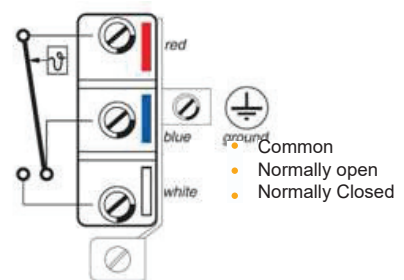
Features & Benefits

- ▶ Paddle Type Liquid Flow Switch
- ▶ Suitable for Water and Normal Media
- ▶ Installable on Pipes to 1...8"
- ▶ ABS Casing with a Protection Class IP65
- ▶ Max. Pressure 11 bar
- ▶ Alarm Signal of Flow Shortage

Dimensions



1/4" BSP Female



Product Description

Liquid Flow Switch

The NCLFS1 is a robust liquid flow switch, paddle type, ideal for flow detection in any demanding process application.

Application

The liquid flow switch is well-suited in pipes of general industrial plants, including heating and air conditioning systems, refrigeration systems, heat pumps, sprinkler or anti-fire systems. The product is available in brass, which is suitable for normal media, and optionally (upon request) in stainless steel, which is suitable for sea water and aggressive media.

Installation

The flow switch can be installed in every position far from elbows or throttlings, with arrow on flow direction. If pipe is vertical, recalibrate range to balance paddle weight. If the device is downwards mounted take care to slugs, and apply it in a straight pipe far from filters, valves, etc. with length at least 5 times the diameter of pipe upstream and downstream the unit.

Technical Information

Contacts:	Dust-tight micro switch with switching contacts SPDT
Switch Capacity	15 (8) A, 24...250 Vac
Liquid Temperature	-40 ... 120°C
Maximum Pressure	11 bar
Connection:	R1"
Pipe Diameter:	1 ... 8"
Paddles:	Stainless Steel AISI 316L
Housing:	Base in ABS, transparent PC cover
Protection Class	IP65
Dimensions (mm)	140 x 62 x 65
Weight:	950 g

Ordering Codes

NCSLFS1

Liquid Flow Switch