

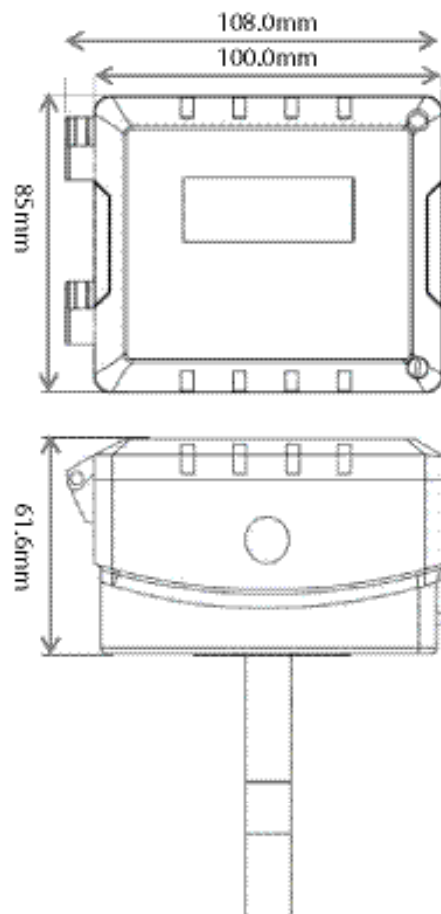
NCSRHD1 Duct Humidity & Temperature Transmitter



Features & Benefits

- ▶ Duct Humidity & Temperature Transmitter
- ▶ Highly Stable RH Sensor Element
- ▶ Accurate NTC10 Type Thermistor with Nominal Resistance of 10 kOhm / 25°C.
- ▶ Display for Easy Reading
- ▶ Suitable for any HVAC Application

Dimensions



Product Description

Humidity & Temperature Transmitter

The relative humidity and temperature transmitter NCSRHD1 is designed for measuring humidity and temperature measurements of air ducts in environmental monitoring and control systems. The transmitter offers reliability and accuracy for even the most demanding applications.

Applications

The sensor is designed for single point monitoring of air inside ducts. The rigid stainless steel probe and the enduring ABS casing makes the sensor suitable for any HVAC applications. The probes provide excellent heat transfer, allows fast response and offers resistance to moisture penetration.

Installation

The duct type probes are installed through a hole in the side of the duct to monitor single point humidity within the duct. Care should be taken to install the probe in a straight section of the duct at a suitable distance downstream from any heating, cooling or humidification devices

Technical Information

Sensor Type (RH)	Capacitive
Sensor Type (Temp):	NTC10
Output Signals:	0-10 V, 0-5 V, 4-20mA (jumper selectable)
Range (RH):	0 ... 100 % RH
Range (Temp):	-30 ... 70 °C
Accuracy (RH):	± 5 % RH / 25°C (20...80%RH)
Accuracy (Temp):	± 0.5 °C / 25°C
Hysteresis (RH):	< ± 1 % RH
Response Time:	< 10s (25°C, in slow air)
Stability (RH):	± 0.5 % RH / year
Power Supply: 2	4V AC/DC (±10%)
Current Output Load:	< 500 Ω
Display Resolution:	0.1 °C, 0.1% RH
Enclosure Material:	ABS plastic
Protection Class:	IP65

Ordering Codes

NCSRHD1

Duct Humidity & Temperature Transmitter