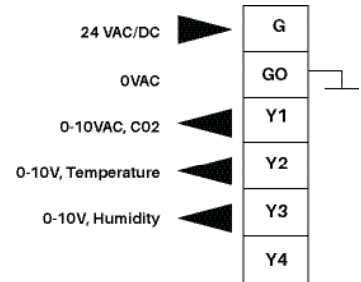
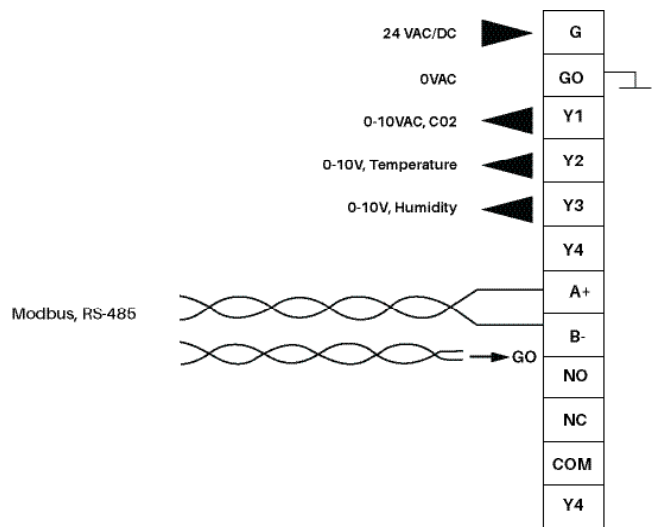




## Wiring



## Wiring Modbus Option



## Product Description

The NCSCO2R1 is the accurate Carbon Dioxide (CO<sub>2</sub>) and Temperature Transmitter for clean indoor environments. The transmitter features a patented self-calibration algorithm which makes the installation and maintenance of the device fast and simple.

The transmitter enables the measurement and control of indoor air quality and room temperature, optionally also humidity level. The measurements are output with standard 0-10VDC signals. The measurement data can be used e.g. for demand based ventilation control.

The stylish casing of the product makes it ideal for any indoor space. The transmitter is mounted on the wall surface or on the standard flush mounting box (60 mm hole distance).

## Features and Benefits

- ▶ Stylish Carbon Dioxide Transmitter
- ▶ Temperature Measurement Included
- ▶ Humidity Measurement Available (optional)
- ▶ 0-10 VDC Outputs
- ▶ Patented Self Calibration Algorithm
- ▶ Compact Enclosure
- ▶ Installer-friendly Wiring Access
- ▶ Available also with Display (optional)

## Ordering Codes

NCSCO2R1	Carbon Dioxide Transmitter
NCSCO2R1LCD	Carbon Dioxide Transmitter - optional, with display
NCSCO2R1RH	Carbon Dioxide Transmitter - optional, with humidity measurement
NCSCO2R1M	Carbon Dioxide Transmitter - optional, with Modbus connectivity

## Technical Information

<b>Sensor Type (CO<sub>2</sub>)</b>	Electro-mechanical
<b>Operating Voltage</b>	0-10V <2mA
<b>Range (CO<sub>2</sub>)</b>	0 .... 2000 ppm
<b>Accuracy (CO<sub>2</sub>)</b>	±40ppm +3% of reading
<b>Stability</b>	<0.2% FS per °C (Self Calibrating)
<b>Response Time</b>	< 2 min
<b>Range (Temp)</b>	0 .... 50 °C
<b>Accuracy (Temp)</b>	± 0.5 °C / 25 °C
<b>Range (RH)</b>	0 .... 100% (RH)
<b>Accuracy (RH)</b>	± 2% RH / 25 °C
<b>Power Supply</b>	24VAC/DC (22...28V), <2 W
<b>Operating Environment</b>	0 .... 50 °C, 0 ....85% RH (non condensing)
<b>Material</b>	ABS Plastic
<b>Protection Class</b>	IP 20
<b>Mounting</b>	On the wall surface or on the standard flush mounting box (60mm wide hole distance)
<b>Dimensions (mm)</b>	86 X 86 X 32